

## COMFORT MINI BOX

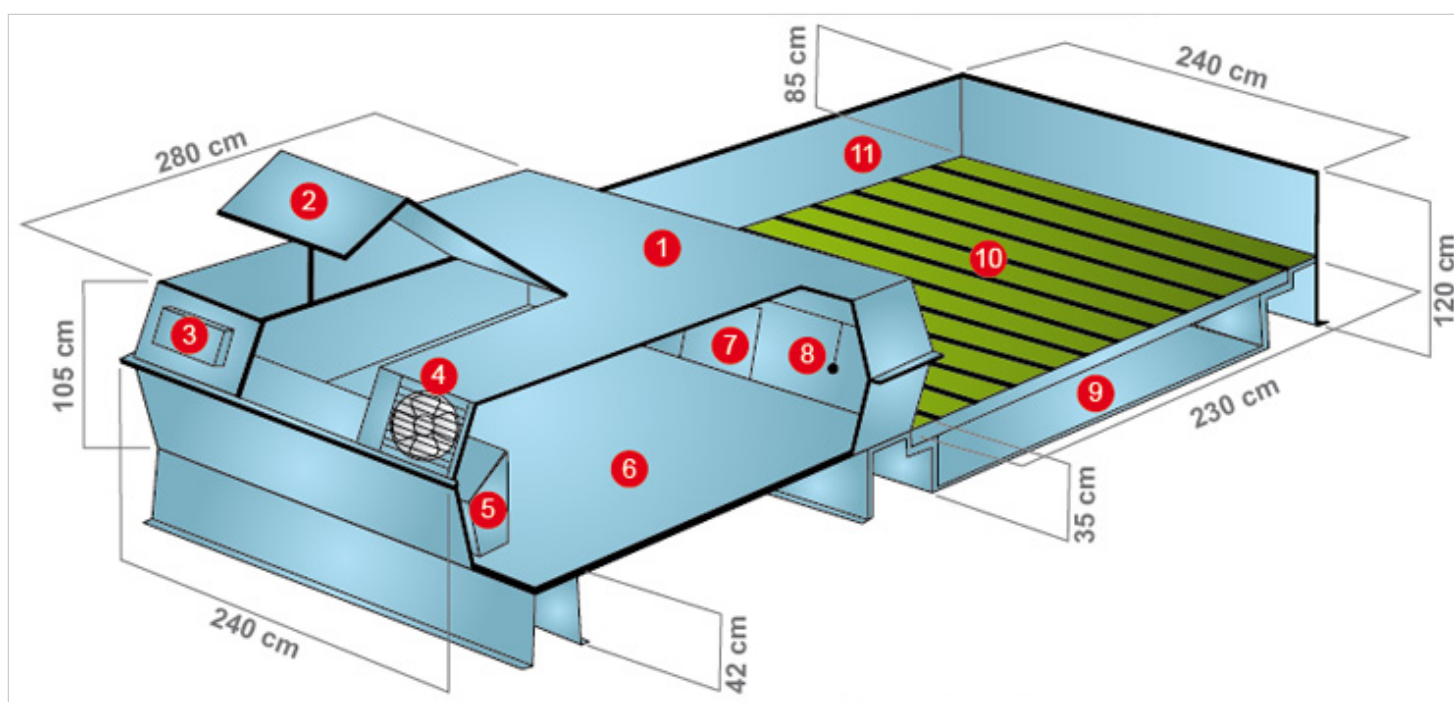
This new product comes from farmers' needs to unite to the performances of a high standard.

### TECHNICAL CHARACTERISTICS

- Fiberglass Shell insulated with 3 cm panel with polyurethane
- fiberglass tub for waste collection, easy to install (no quarry) and sanitize

### ELECTRICAL SYSTEM

- on-board instrumentation and water resistant to gas IP55
- ventilatore completo of the shutter
- underfloor heating powered by 30 meters. of heating cable 400W
- electronic unit for automatic checking of thermoventilation



1. fiberglass Structure
2. Lift-up Door
3. Control and power supply
4. Fan
5. Manger
6. Heated Floor
7. Door
8. Watering Hole
9. Fiberglass Tank for sewage collection
10. Plastic Grating
11. External plastic Enclosure

